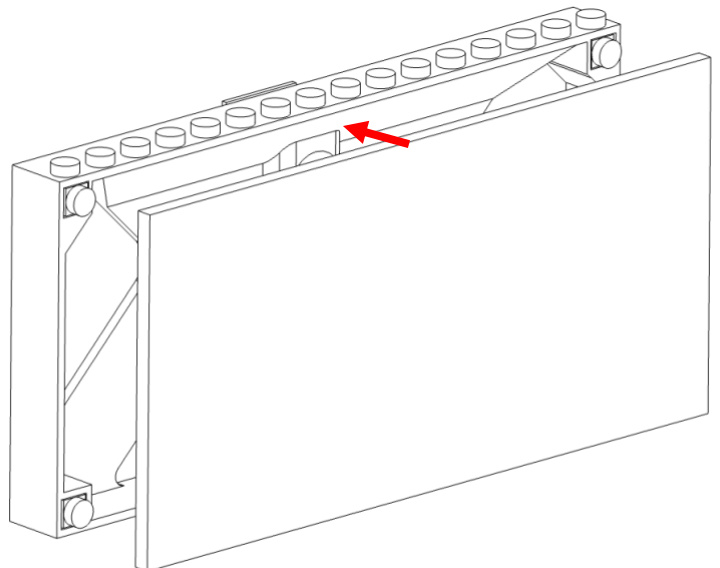
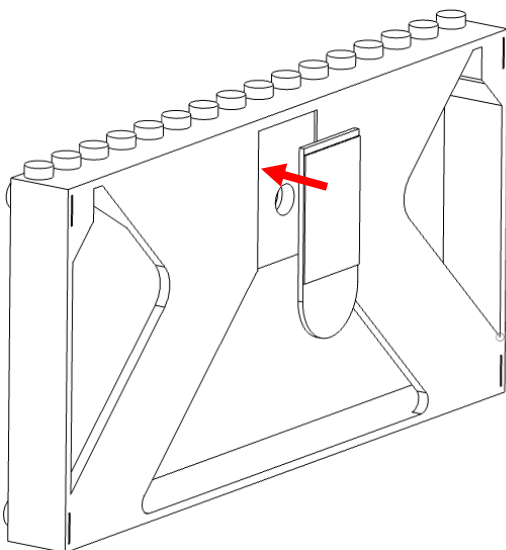
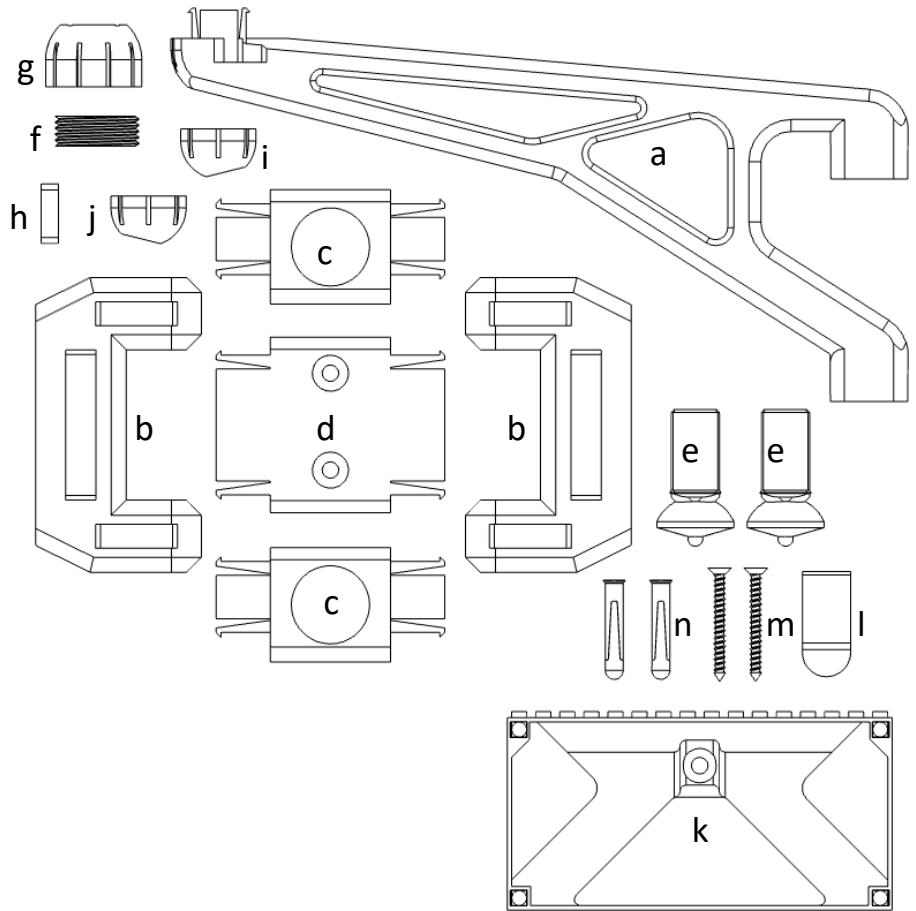


Wall Mount instructions

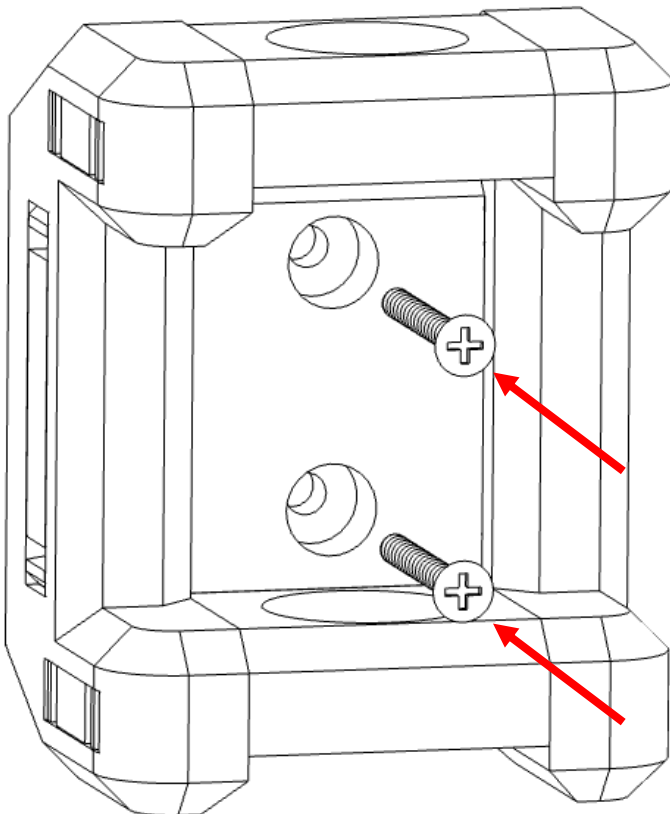
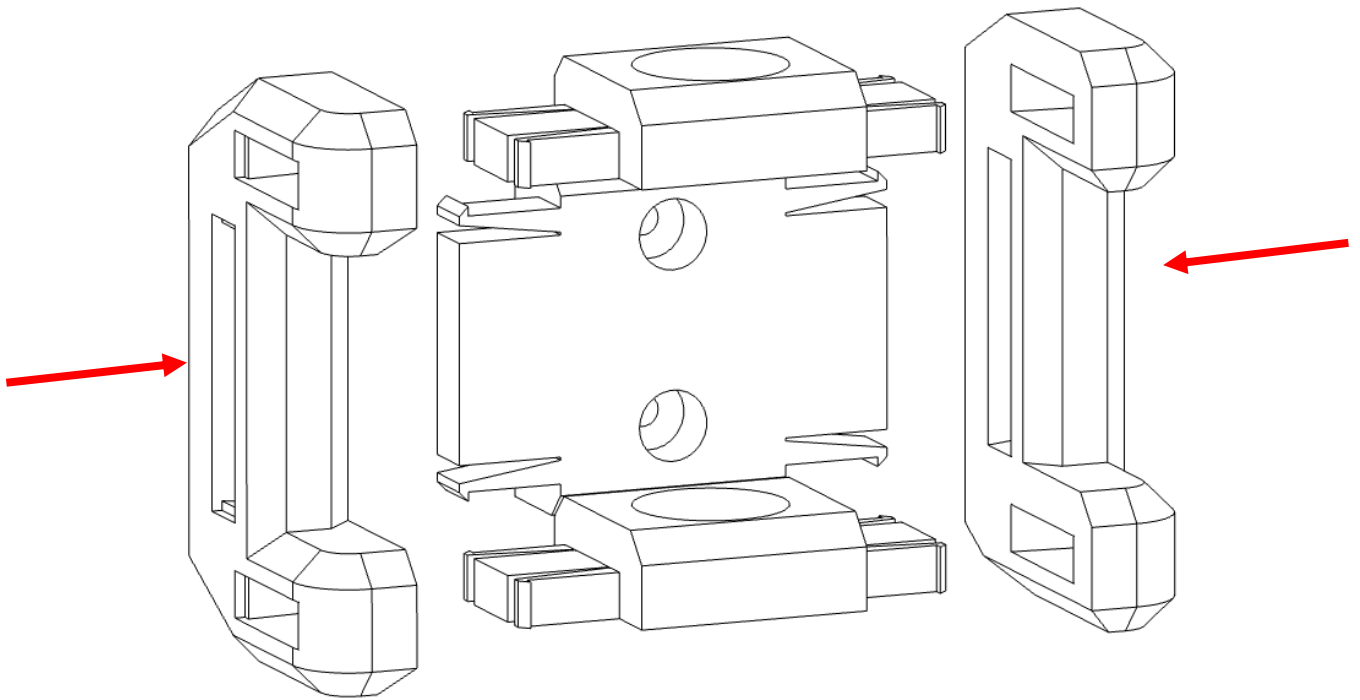
For UCS Tie Interceptor – (75382)

Kit Contents:

- A. 1x Main Arm
- B. 2x Pivot Assembly side
- C. 2x Pivot Stretcher
- D. 1x Wall Stretcher
- E. 2x Ball joint half
- F. 1x Ball joint thread
- G. 1x Ball joint cap
- H. 1x Ball joint connector
- I. 1x Left side trim
- J. 1x Right side trim
- K. 1x Info card holder
- L. 1x Command strip
- M. 2x Wall screws

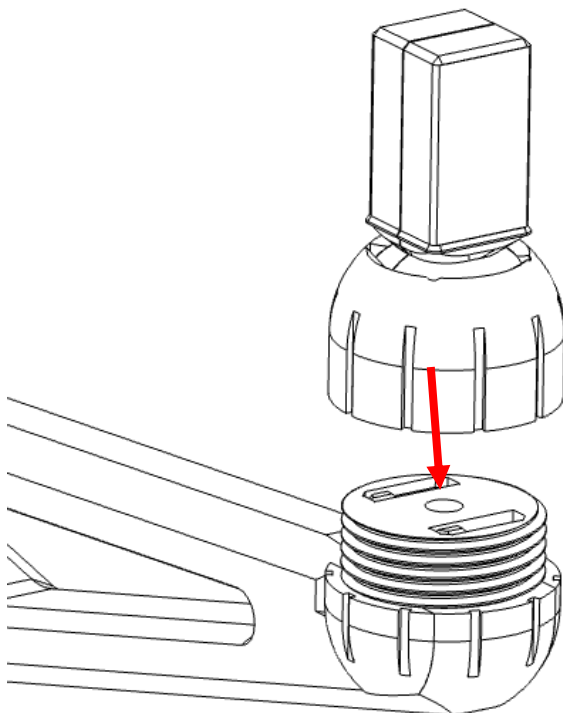
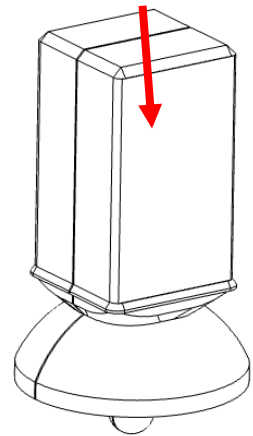
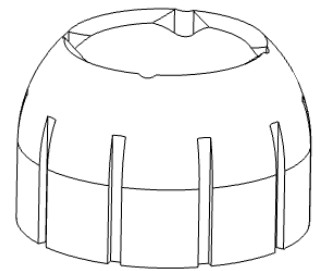
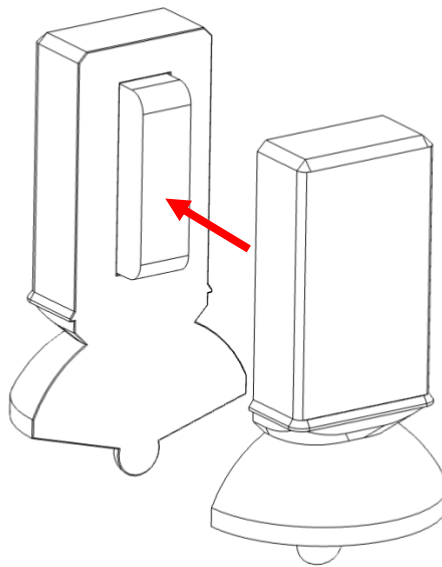
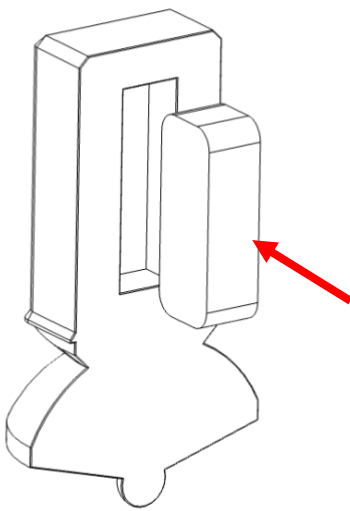
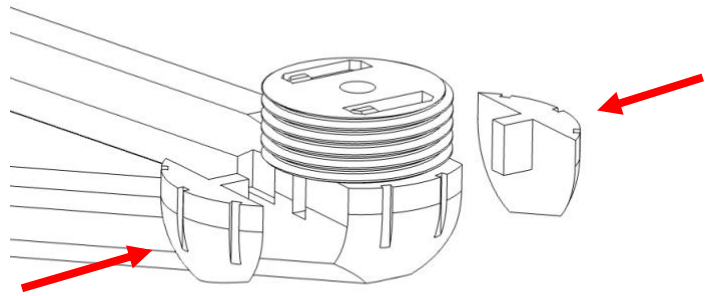
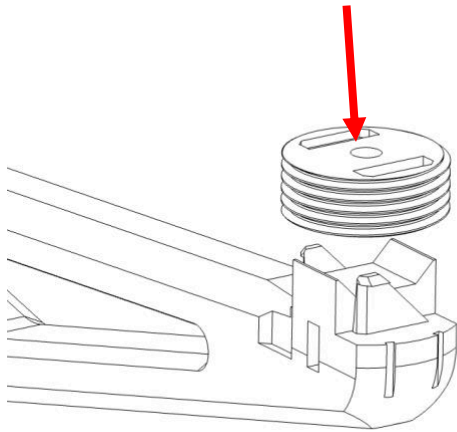


Wall Mount instructions For UCS Tie Interceptor – (75382)



Be sure to align the holes vertically using a spirit level. Tighten the screws using a screwdriver only. Do not over tighten the screws.

Wall Mount instructions For UCS Tie Interceptor – (75382)



Once positioned to your liking,
you can gently tighten the
screw cap to secure the ball
joint in place.

Wall Mount instructions For UCS Tie Interceptor – (75382)

