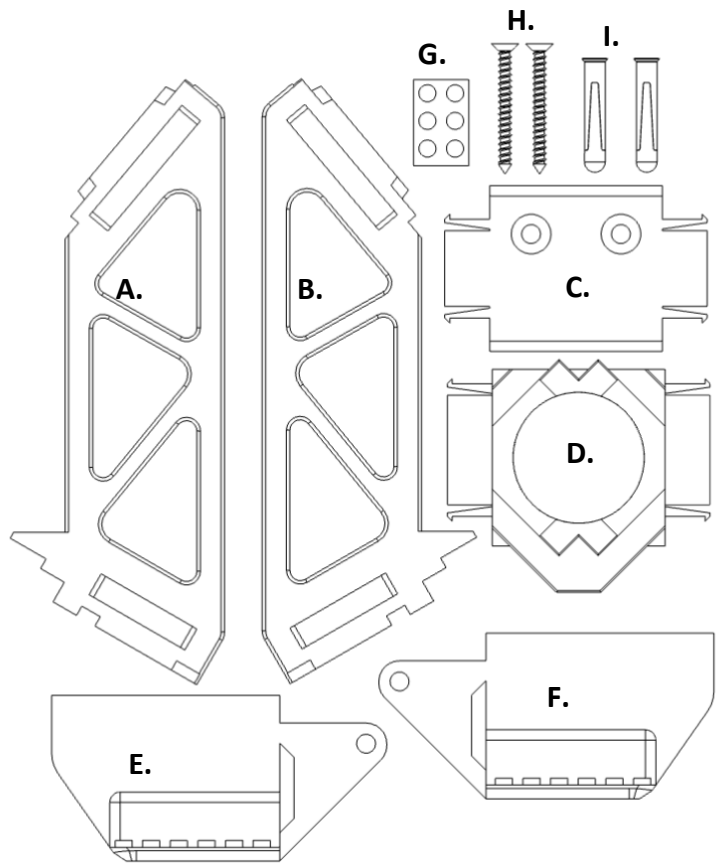
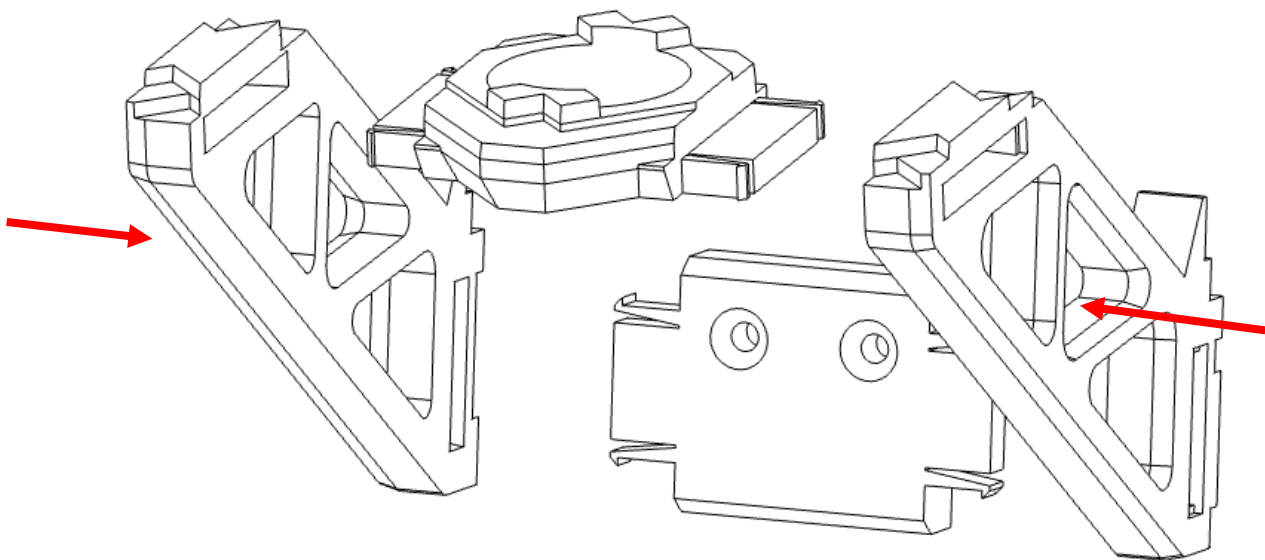


Wall Mount Instructions For Lunar Lander – (10266)

- A. 1x Left Arm
- B. 1x Right Arm
- C. 1x Back Stretcher
- D. 1x Front Stretcher
- E. 1x Left minifigure mount
- F. 2x Right minifigure mount
- G. 1x Backing adaptor
- H. 2x Wall screws
- I. 2x Screws

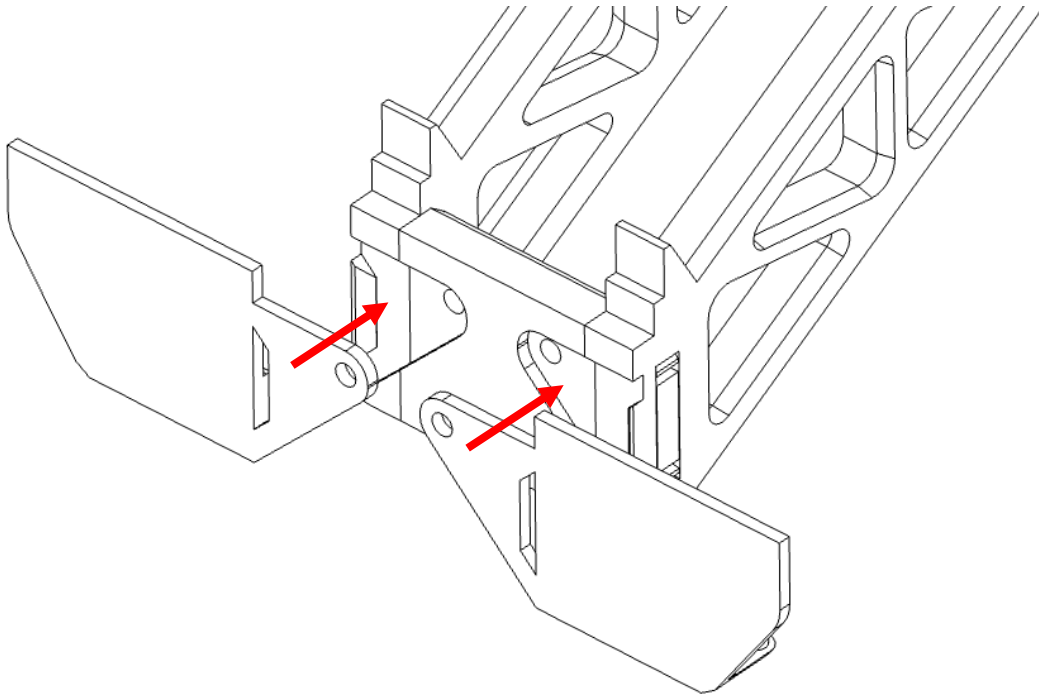


Please ensure the correct orientation of the stretchers and arms.

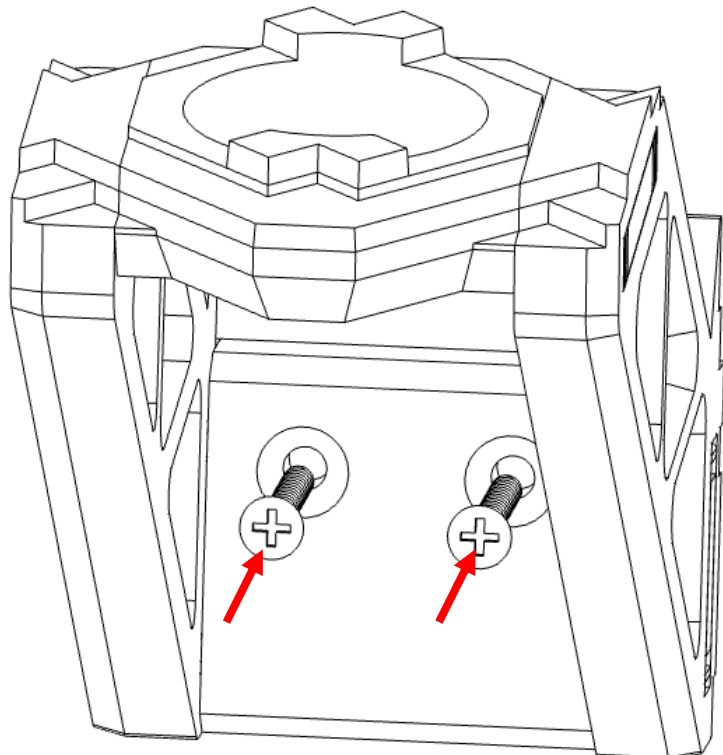


Wall Mount Instructions For Lunar Lander – (10266)

figure side mounts please insert them as



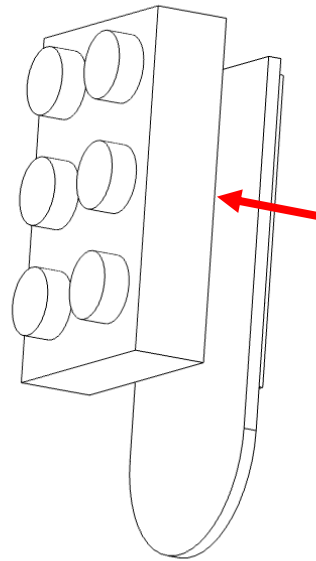
Install both screws into the back
stretcher. Do not over tighten (use a
screwdriver).



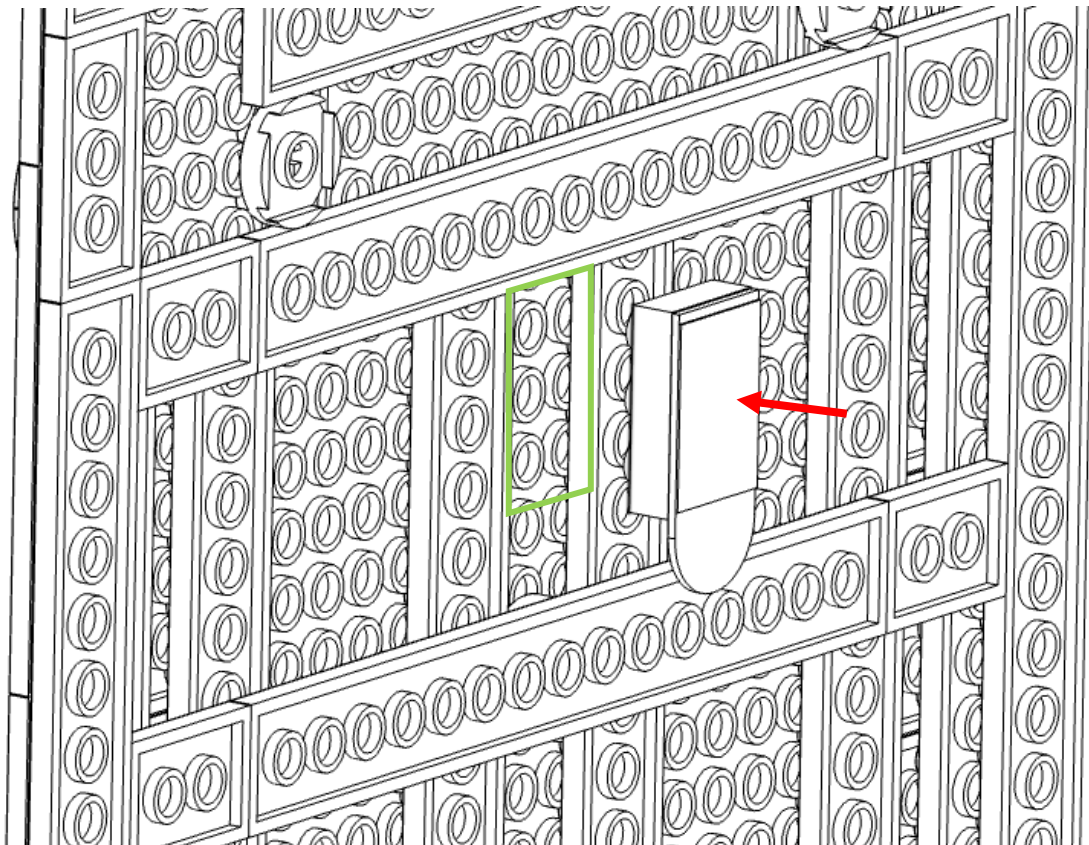
Wall Mount Instructions For Lunar Lander – (10266)

back of the lunar

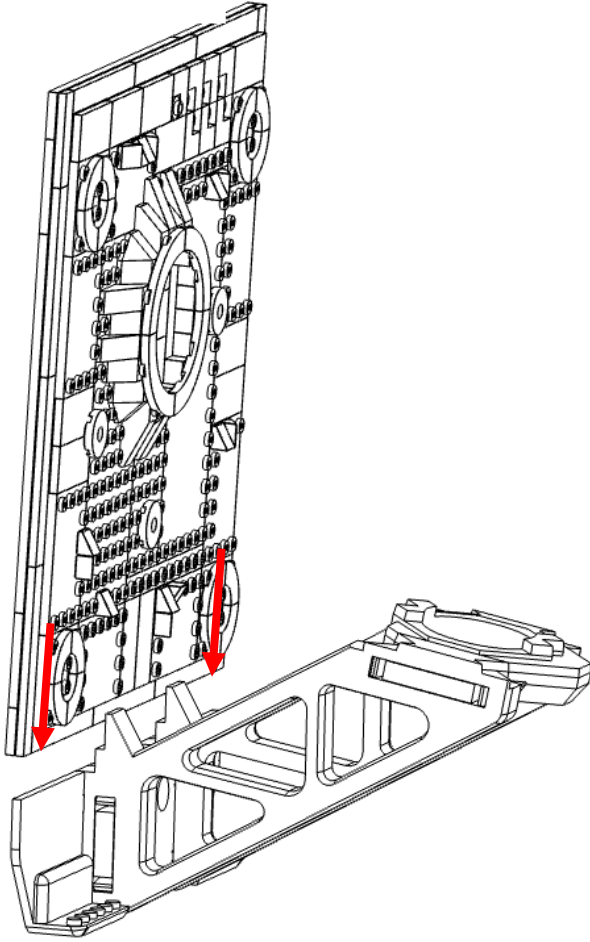
lander is optional.



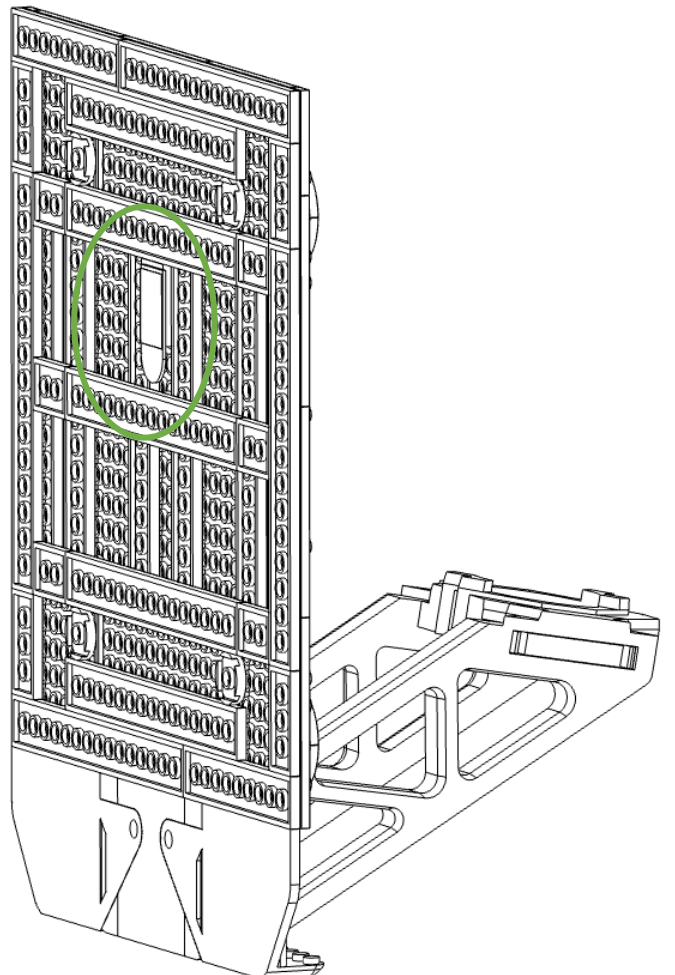
Place the included 3M command strip to the backing adaptor. Then fit this to the back of the moon surface build.



Wall Mount Instructions For Lunar Lander – (10266)

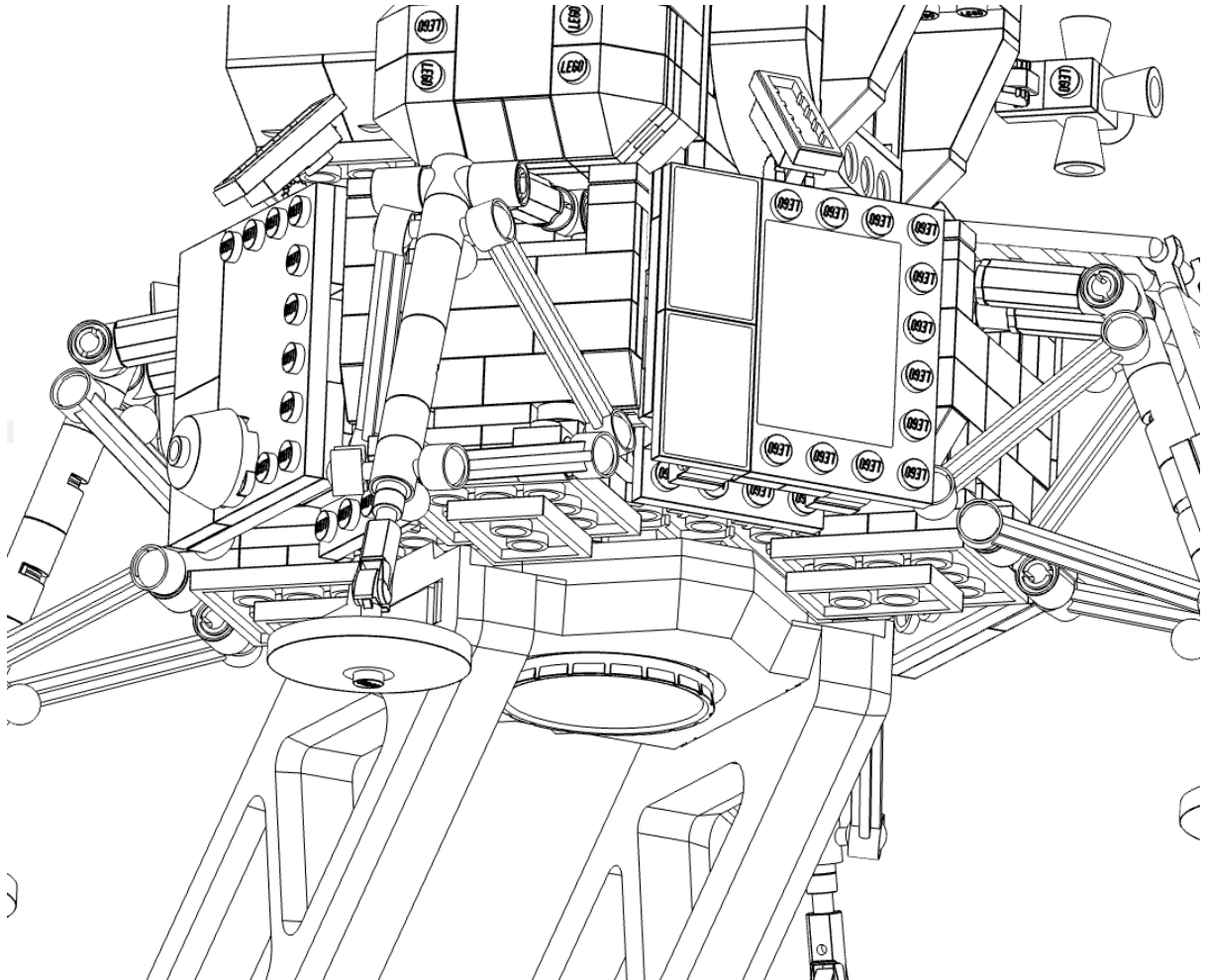


Insert the moon surface behind the wall mount as shown. Once in place and lined up with the wall mount, press gently to adhere the 3M command strip.



Wall Mount Instructions For Lunar Lander – (10266)

Carefully lower
n. The Lego should
neatly nestle into the 3D printed geometry.



Wall Mount Instructions For Lunar Lander – (10266)

