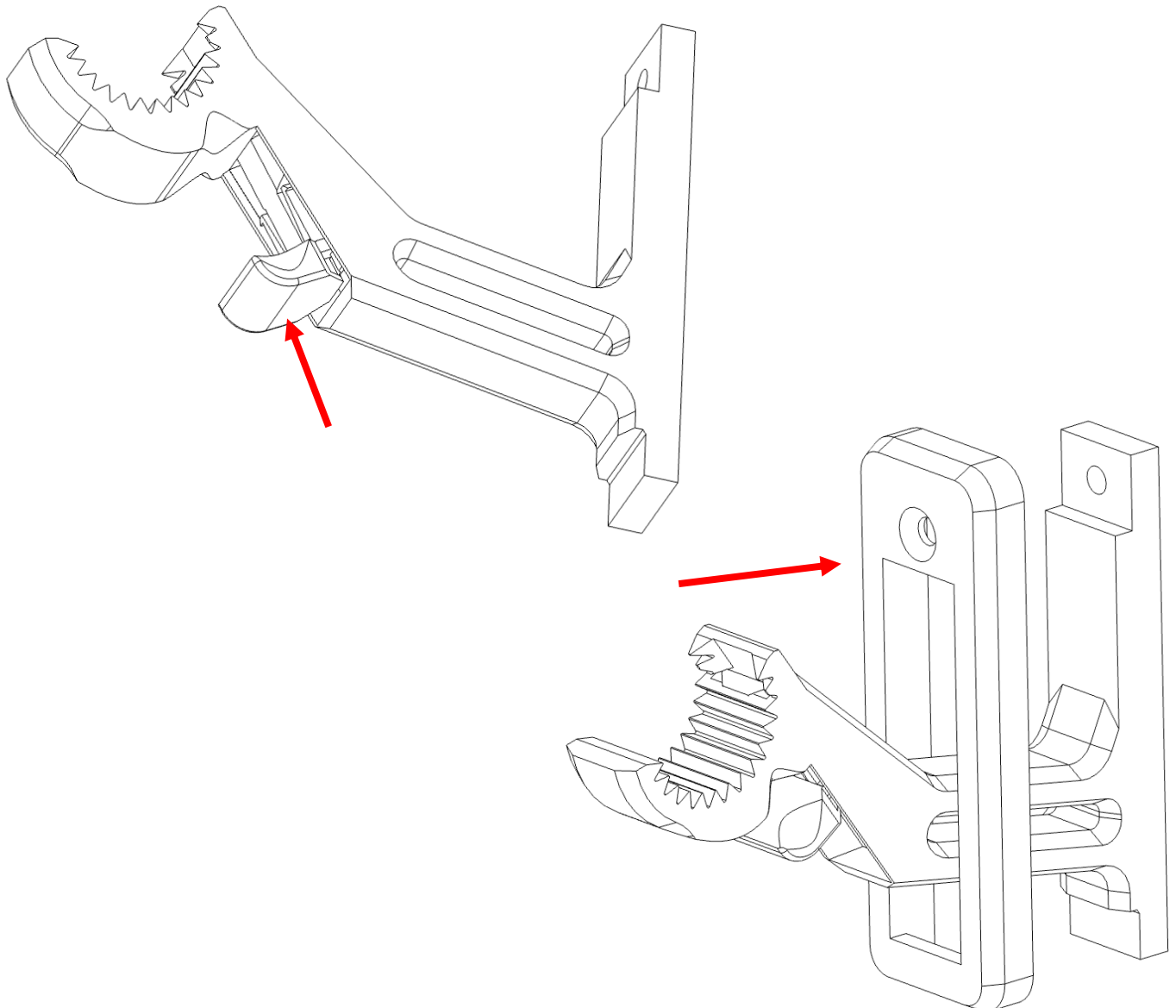
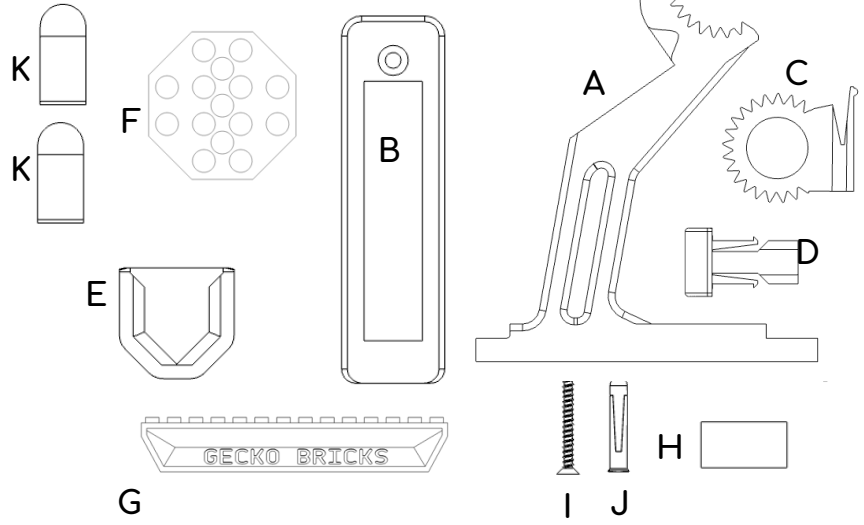


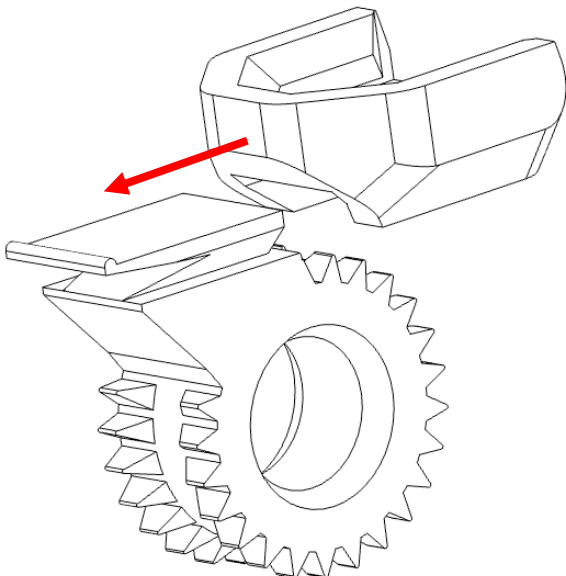
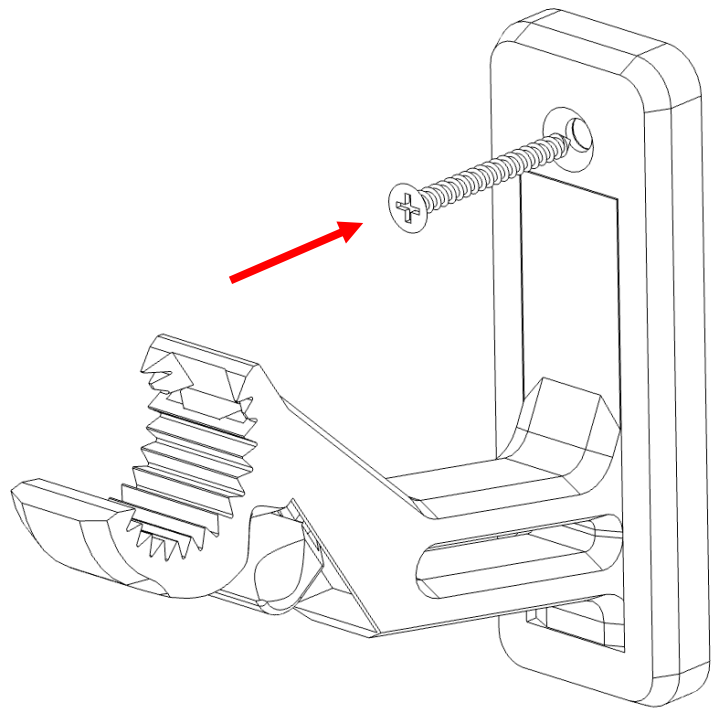
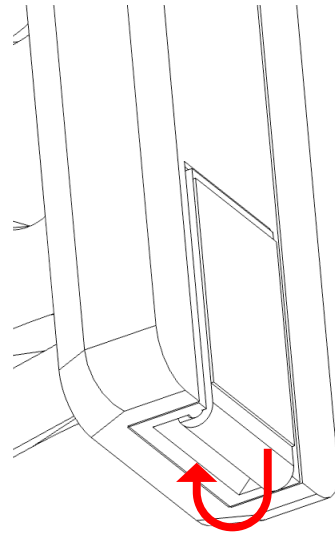
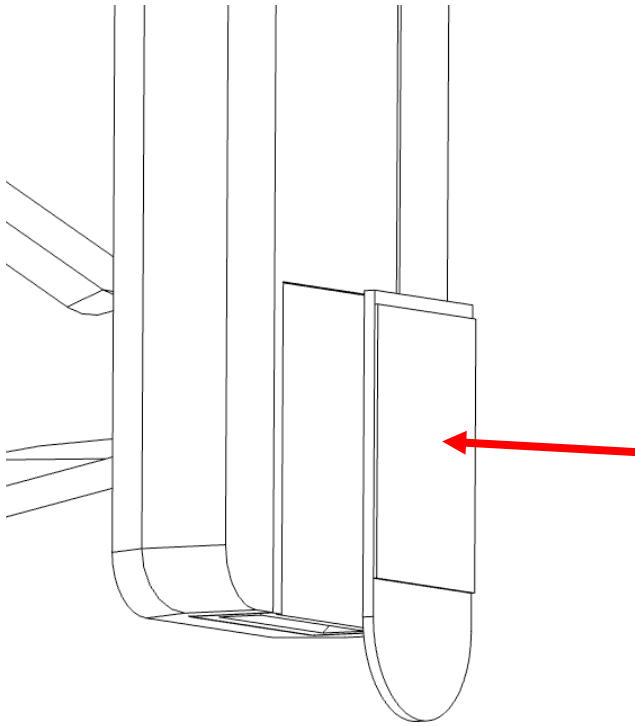
Wall mount Instructions For Tie Fighter - (75300)

kit:

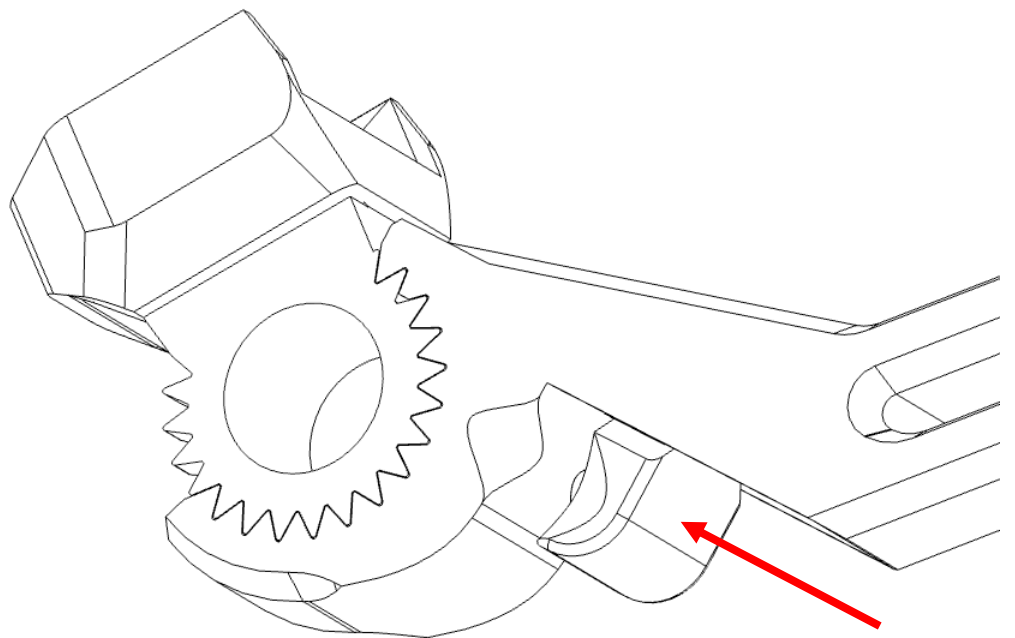
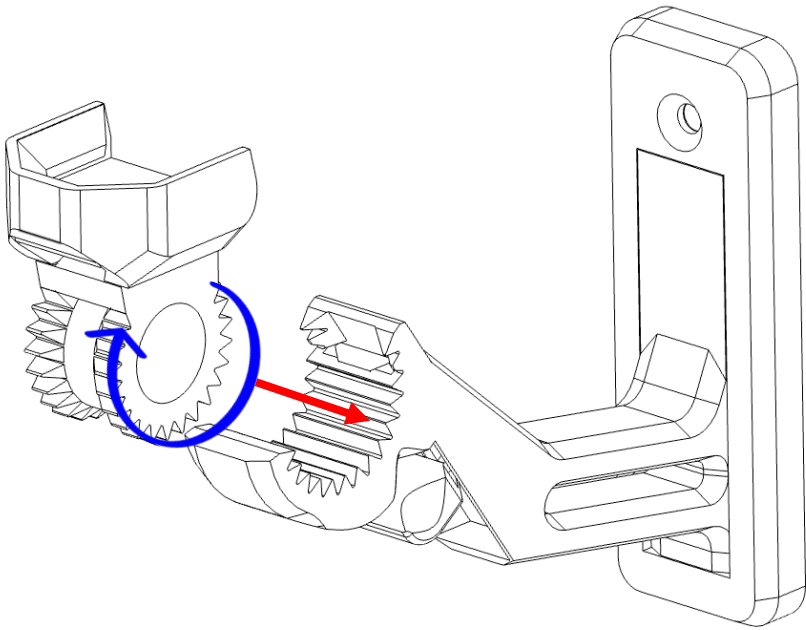
- A. 1x Main Arm
- B. 1x wall plate
- C. 1x Angle adjustor a
- D. 1x Retaining clip
- E. 1x Angle adjustor b
- F. 1x Adaptor a
- G. Minifigure stand
- H. Minifigure stand cleat
- I. 1x Wall screw
- J. 1x Wall plug
- K. 2x Small Command strips



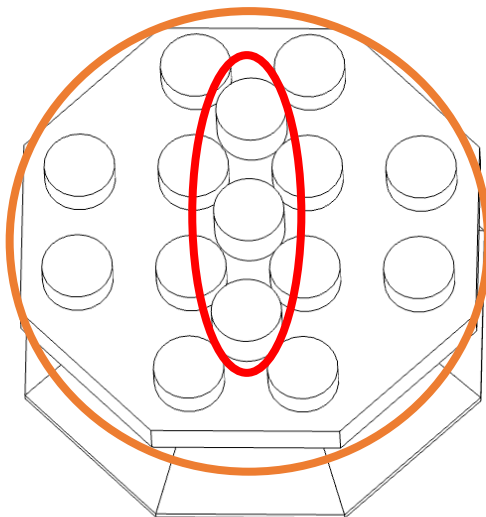
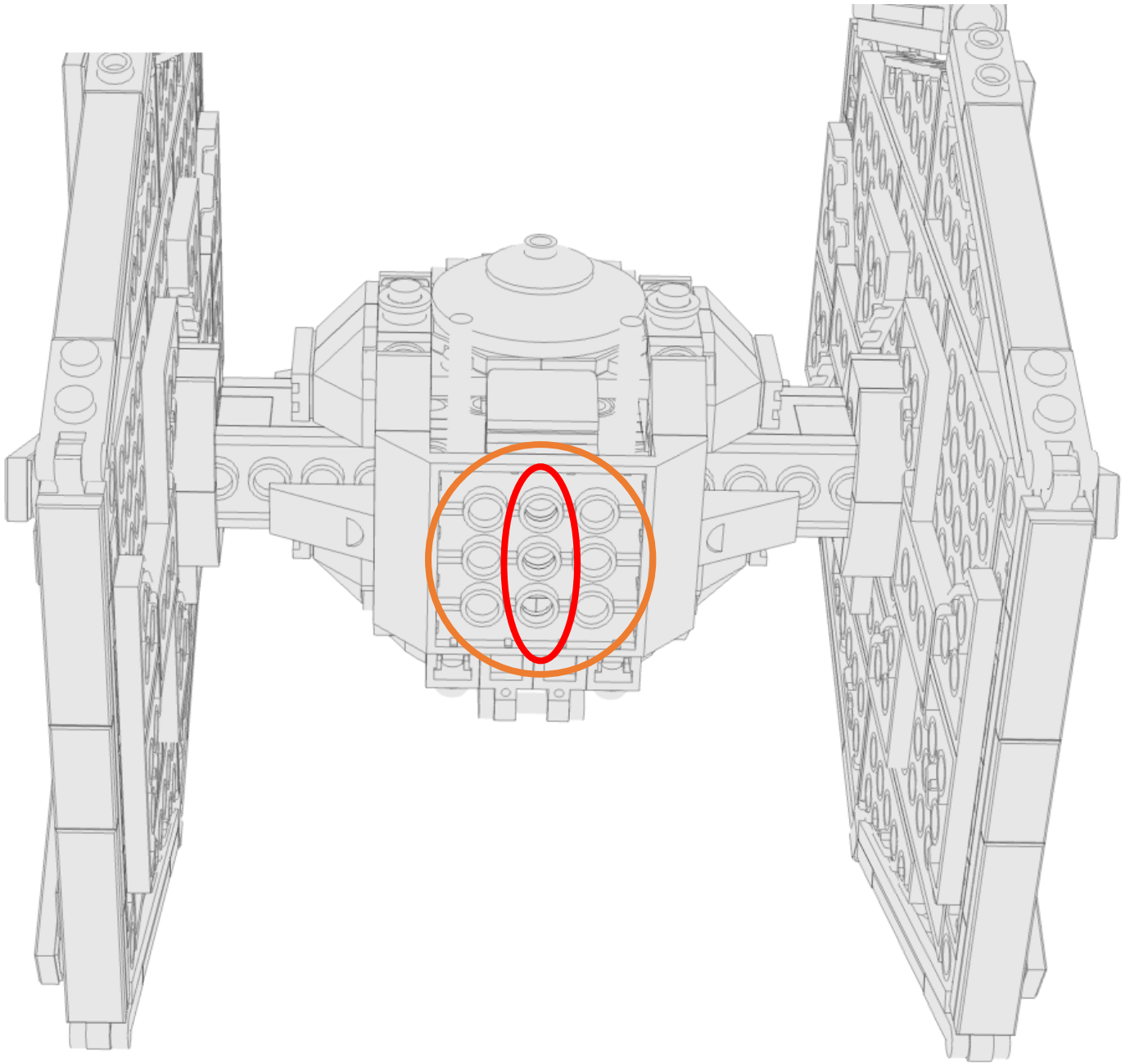
Wall mount Instructions For Tie Fighter - (75300)



Wall mount Instructions For Tie Fighter - (75300)



Wall mount Instructions For Tie Fighter - (75300)



Wall mount Instructions For Tie Fighter - (75300)

