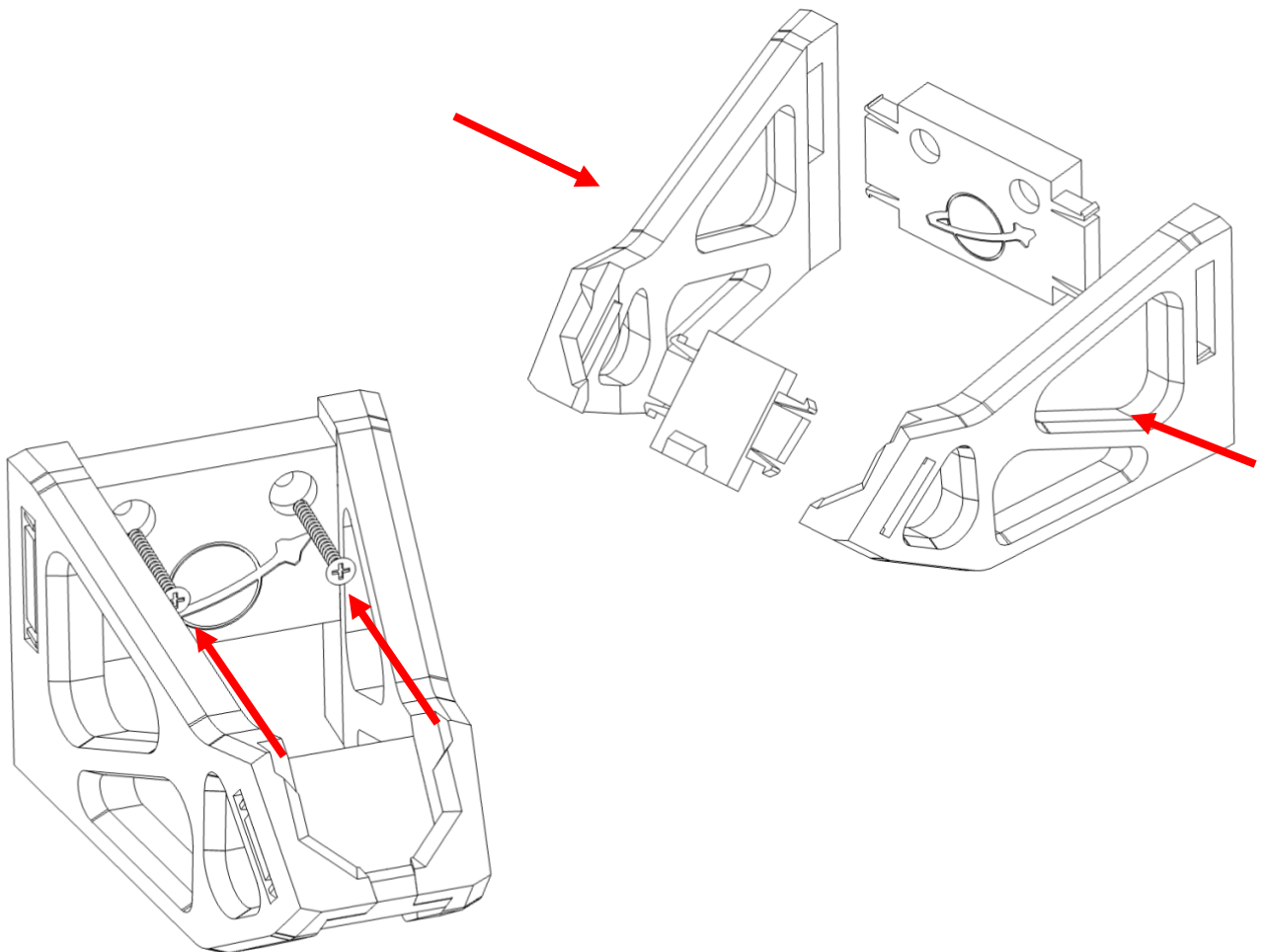
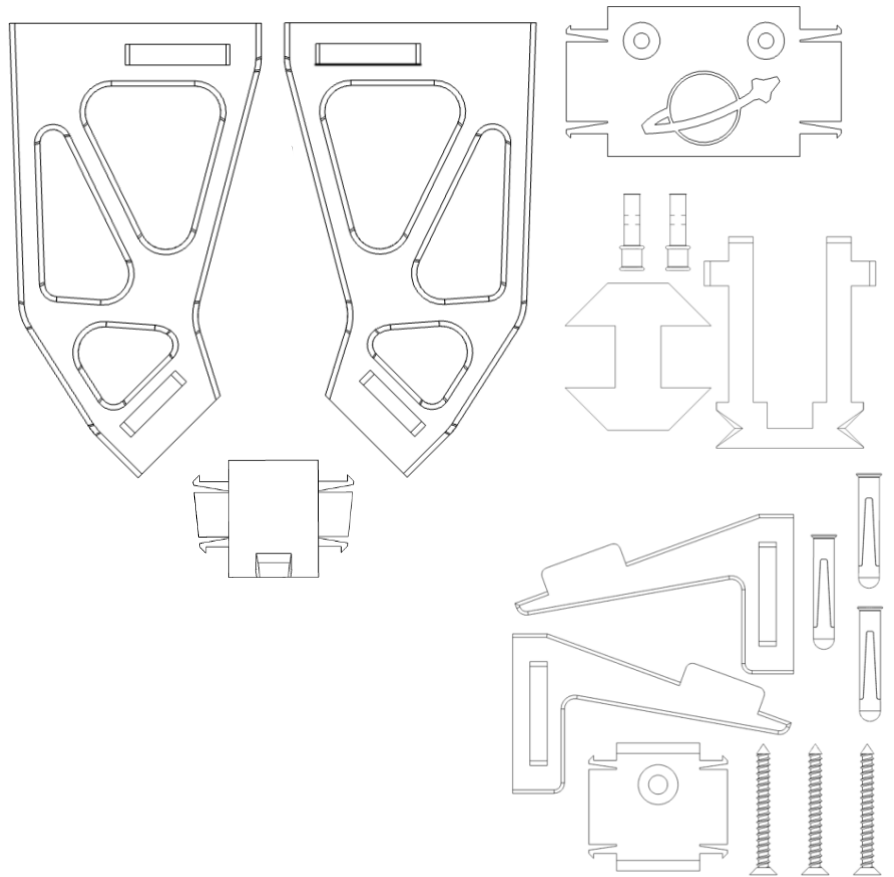


Wall mount Instructions

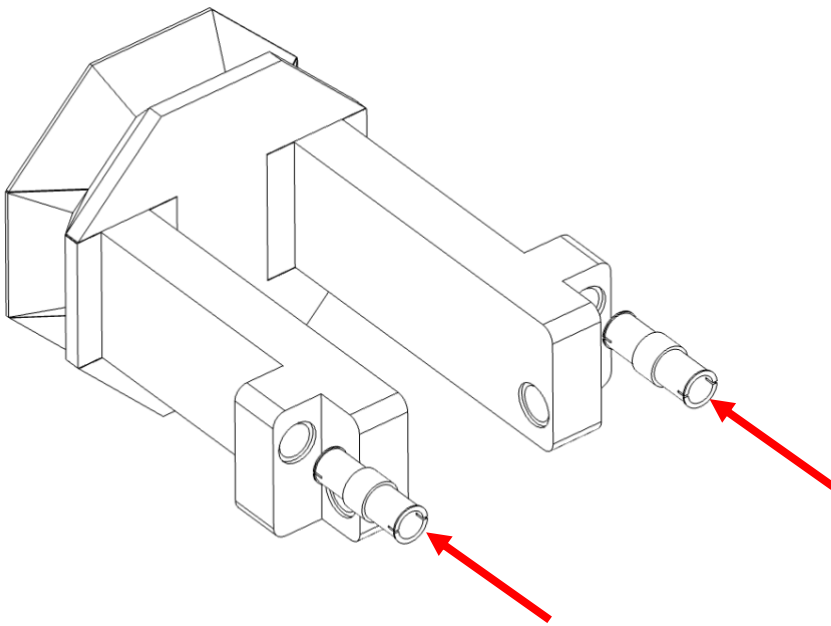
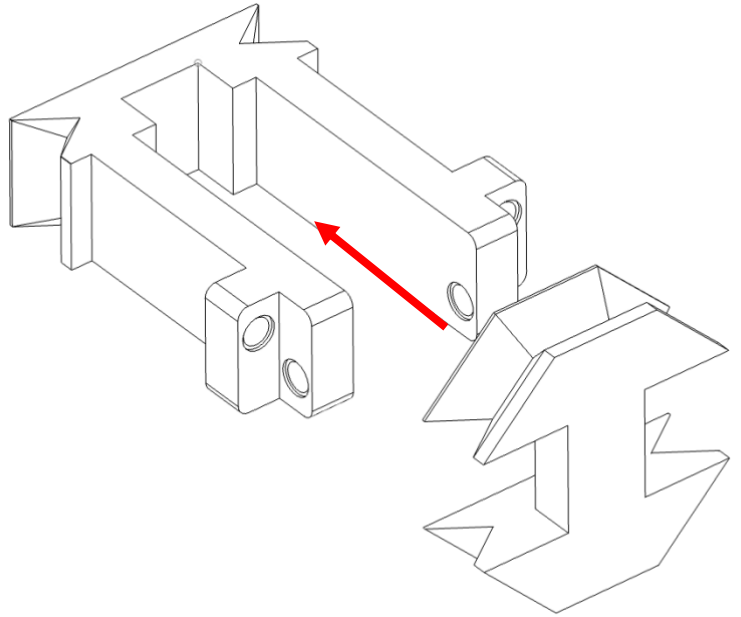
For VTOL Heavy Cargo Spaceship LT81 – (42181)

Parts included in the kit:

- 1x Left arm
- 1x Right arm
- 1x wall plate
- 1x mid stretcher
- 1x adaptor part a
- 1x adaptor part b
- 1x secondary mount
 - Left arm
 - Right arm
 - Wall stretcher
- 3x Wall screw
- 3x Wall plug
- 2x Lego technic push pins

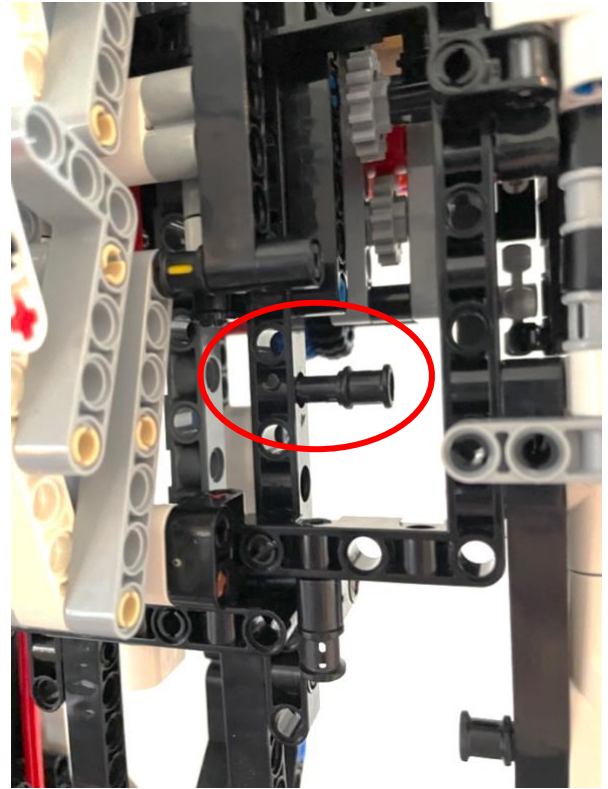


Wall mount Instructions For VTOL Heavy Cargo Spaceship LT81 – (42181)



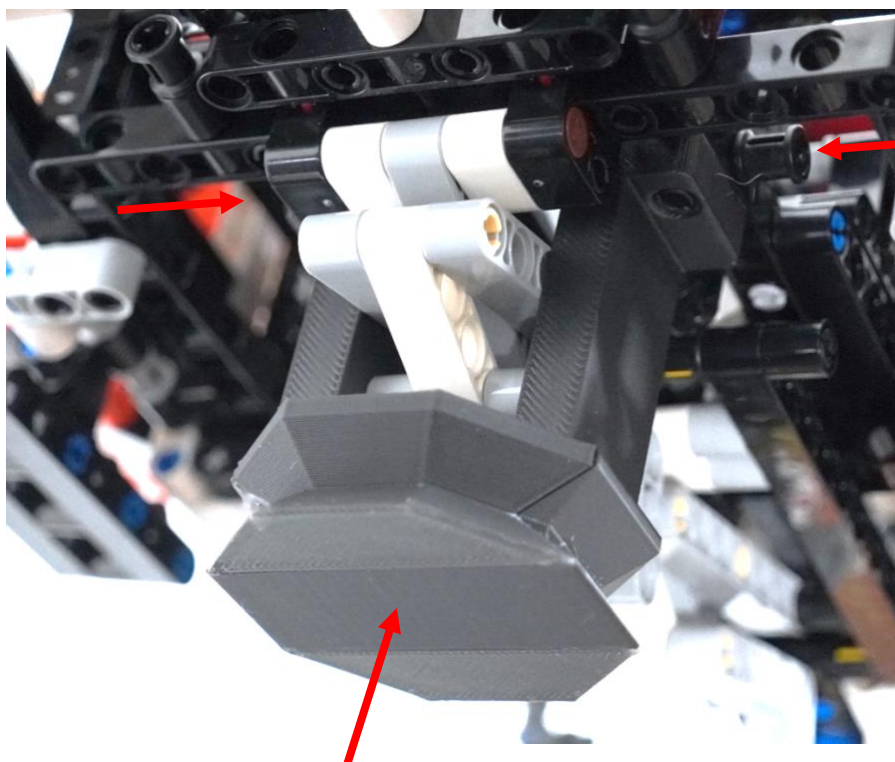
Insert two of the spare technic pins from the spare parts of your Lego set as shown.

Wall mount Instructions For VTOL Heavy Cargo Spaceship LT81 – (42181)



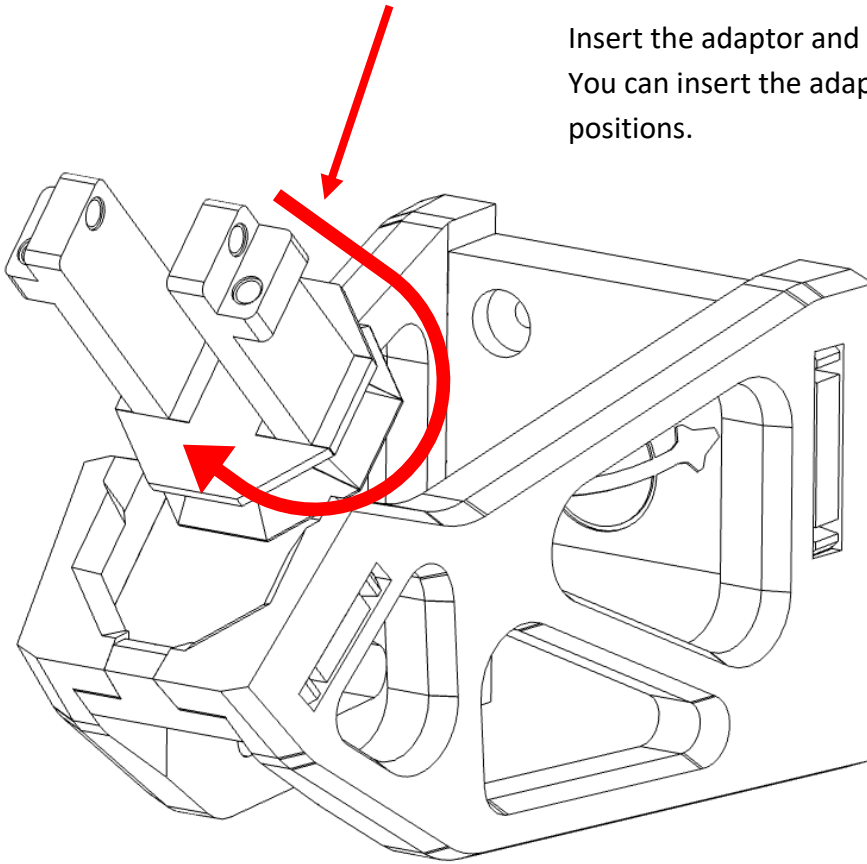
Insert the two technic push pins included with this wall mount kit in the positions shown on the Lego set.

Insert the adaptor into the Lego set and secure by pushing the push pins through.



Wall mount Instructions For VTOL Heavy Cargo Spaceship LT81 – (42181)

Insert the adaptor and set into the stand.
You can insert the adaptor in any of the eight rotational positions.



Secondary Holder

