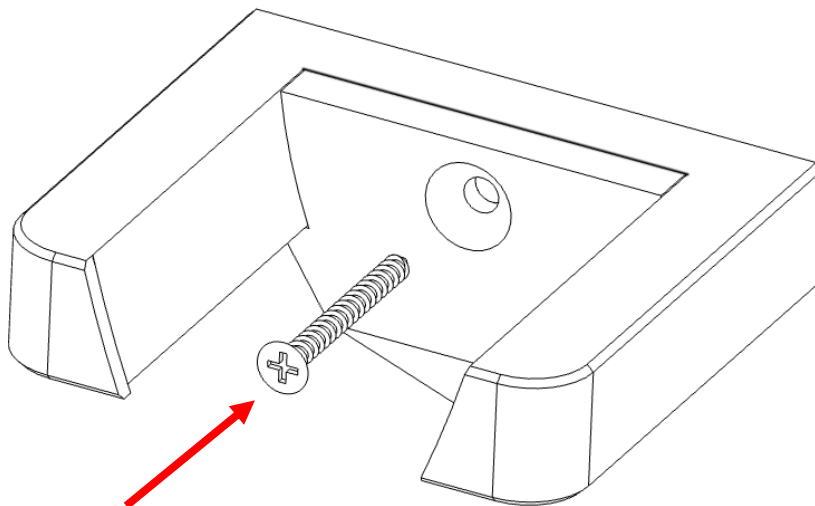
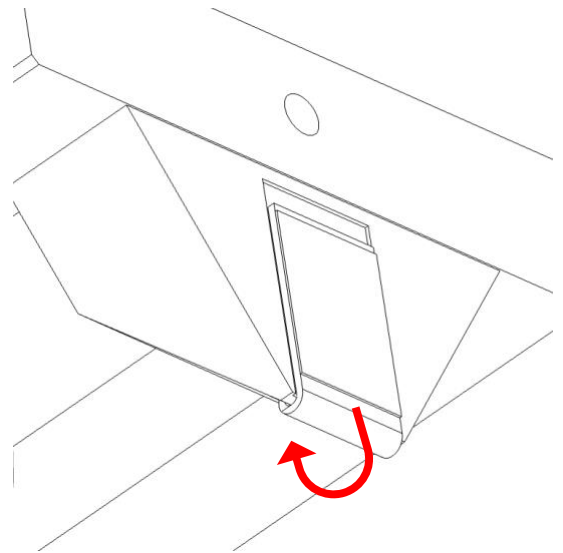
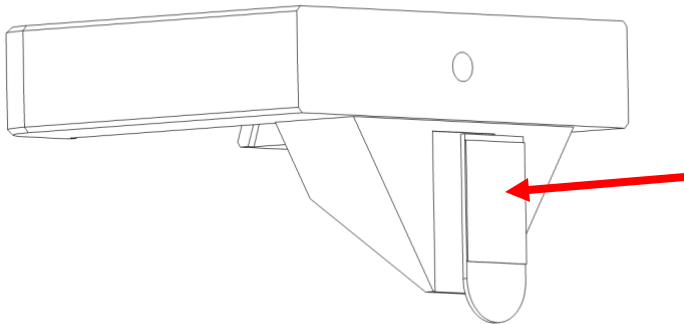
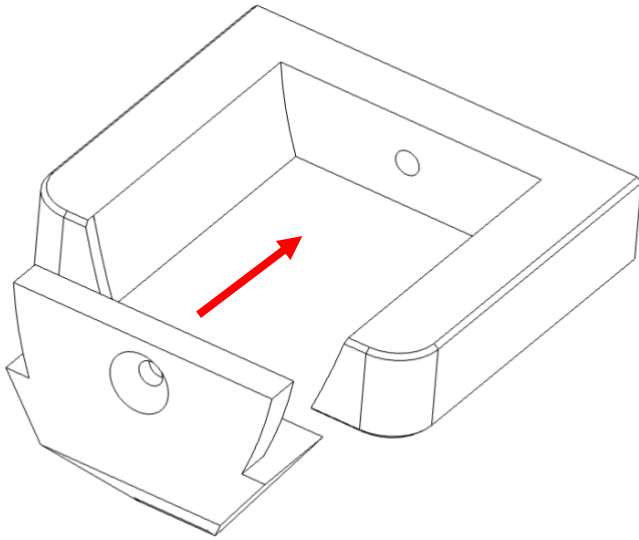
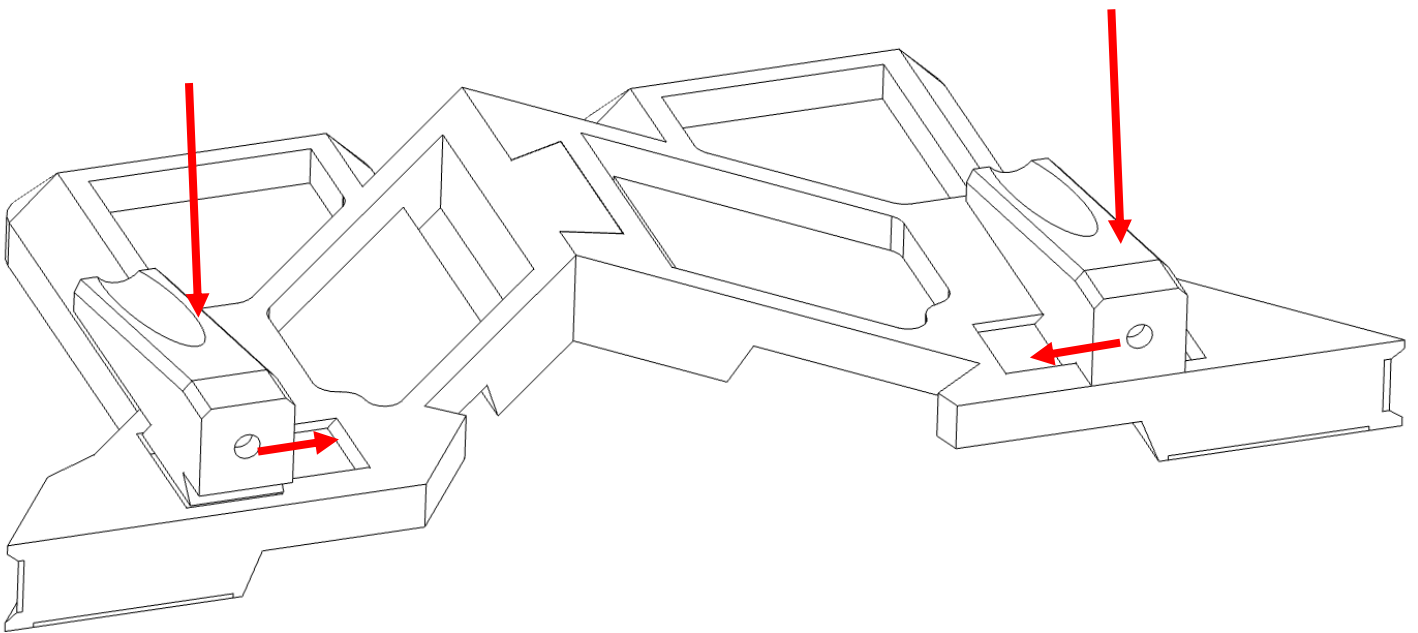
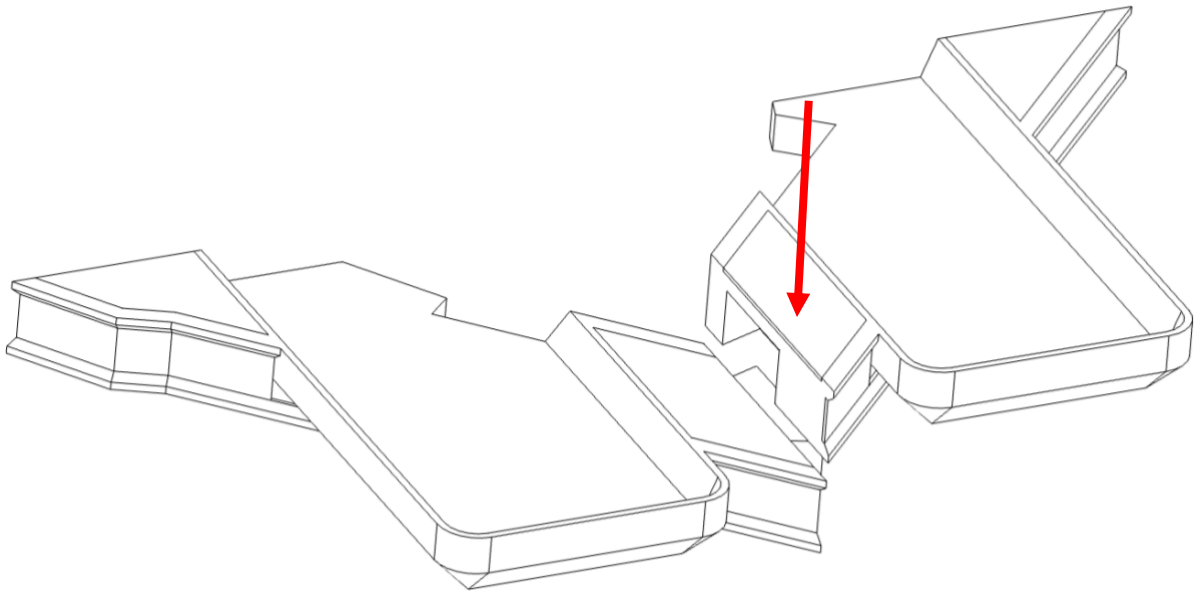


Wall mount Instructions For Idea Voltron – (21311)

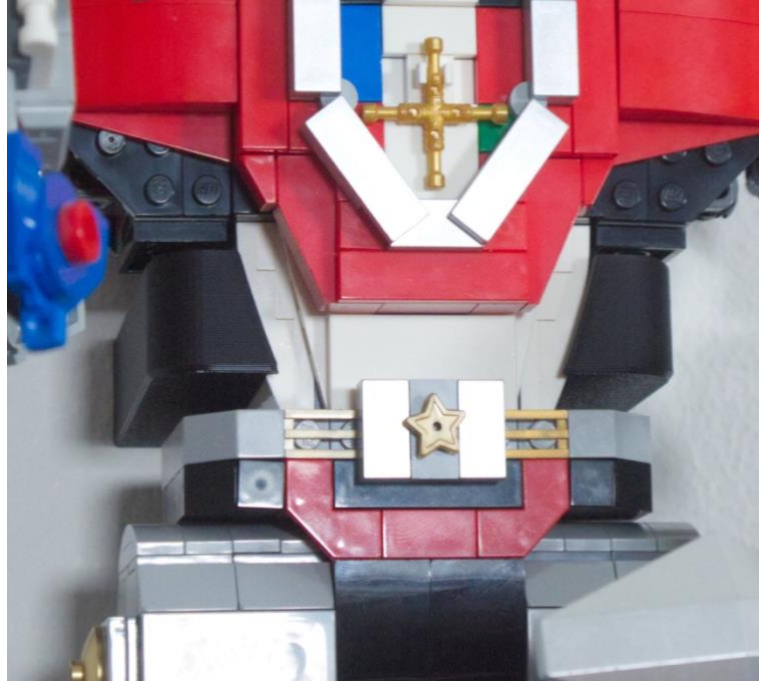


Wall mount Instructions For Idea Voltron – (21311)



Wall mount Instructions For Idea Voltron – (21311)

Place the set onto the upper mount. This mount holds all the weight of the set. The lower mount does not support the weight of the set but is there to complete the aesthetic.



With the set on the upper mount, hold the lower mount up to the feet of the set so they are just touching and mark the positions of the screw holes onto the wall.

