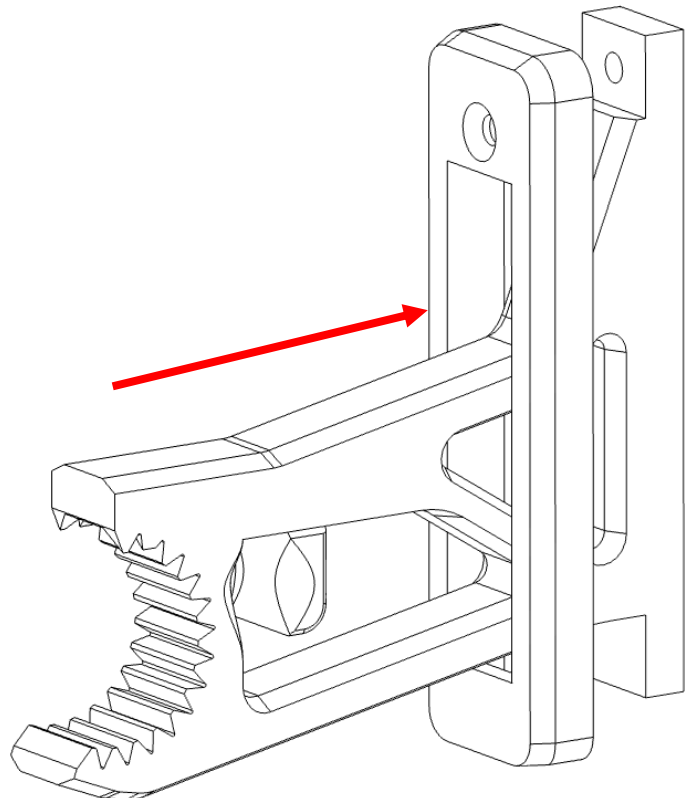
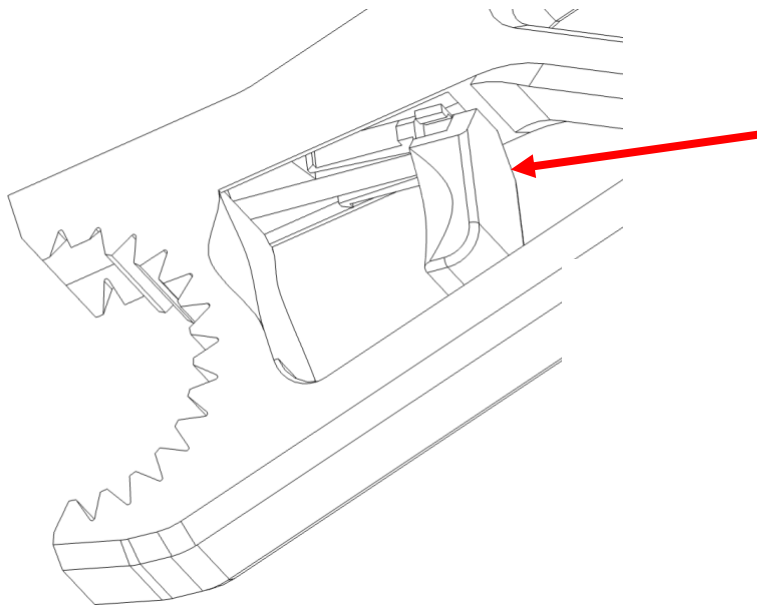
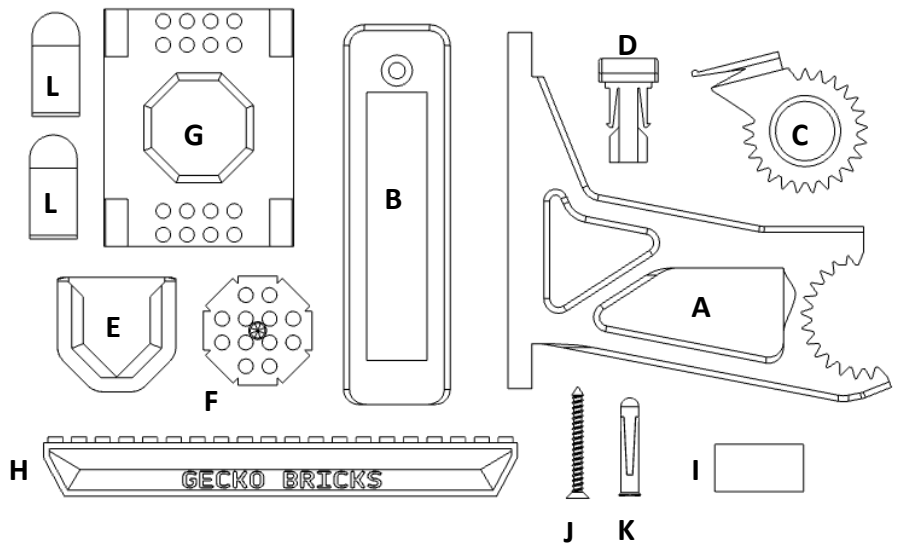


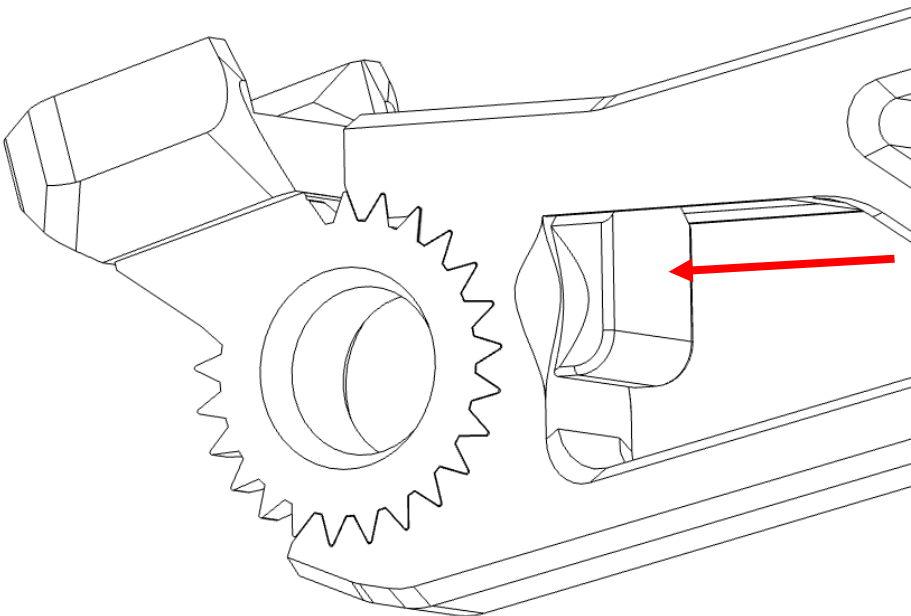
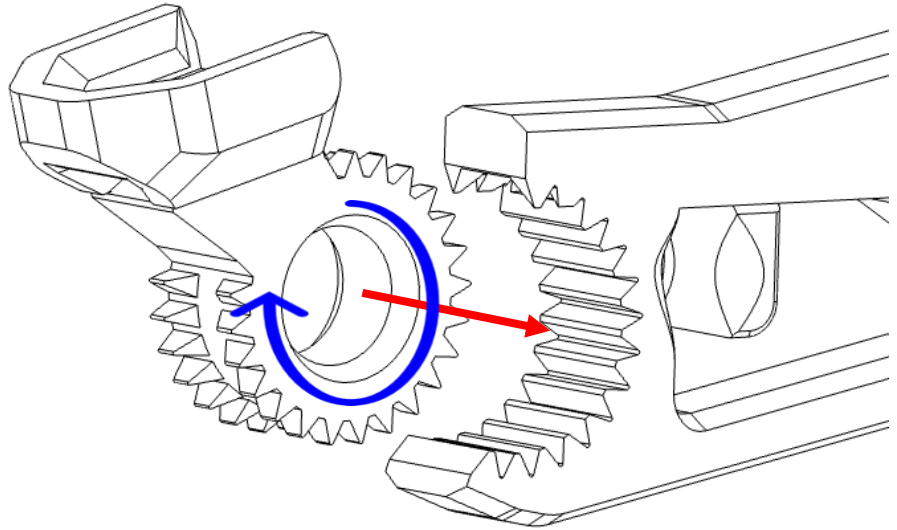
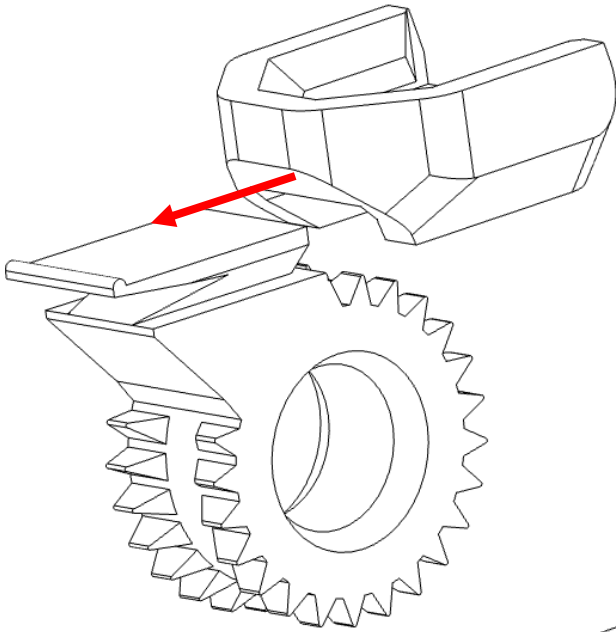
## Wall mount Instructions For Republic gunship – (75021)

### Parts included in the kit:

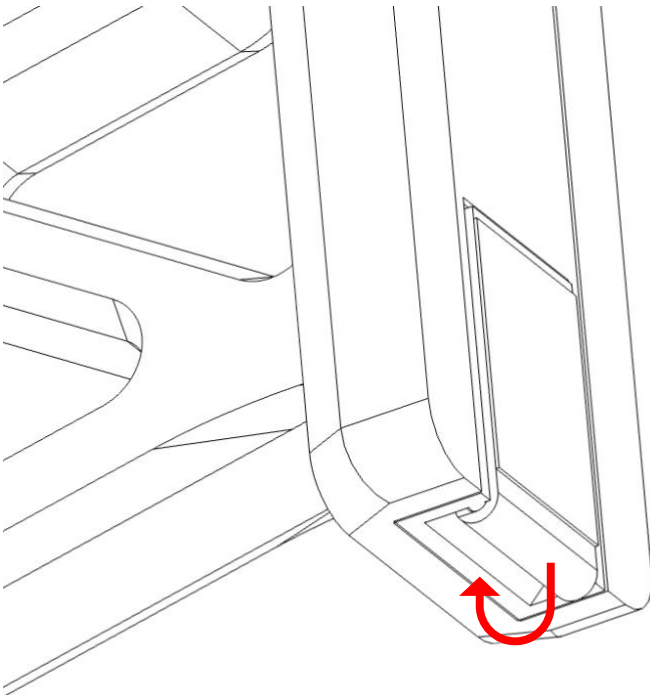
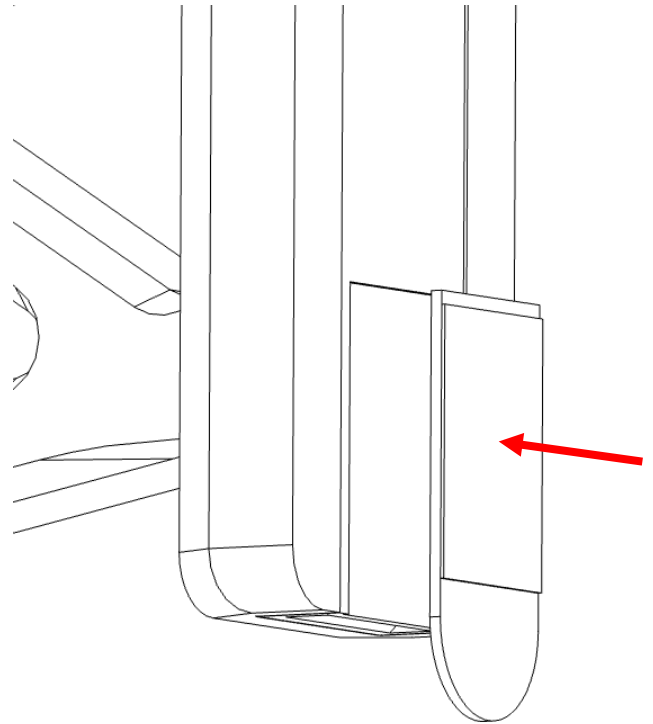
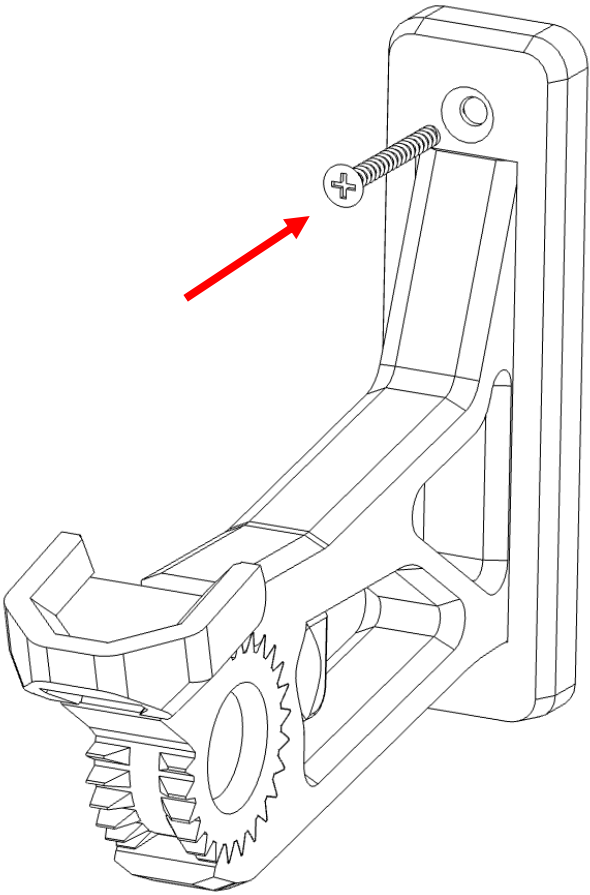
- A. 1x Main Arm
- B. 1x wall plate
- C. 1x Angle adjustor a
- D. 1x Retaining clip
- E. 1x Angle adjustor b
- F. 1x Adaptor a
- G. 1x Adaptor b
- H. Minifigure stand
- I. Minifigure stand cleat
- J. 1x Wall screw
- K. 1x Wall plug
- L. 2x Small Command strips



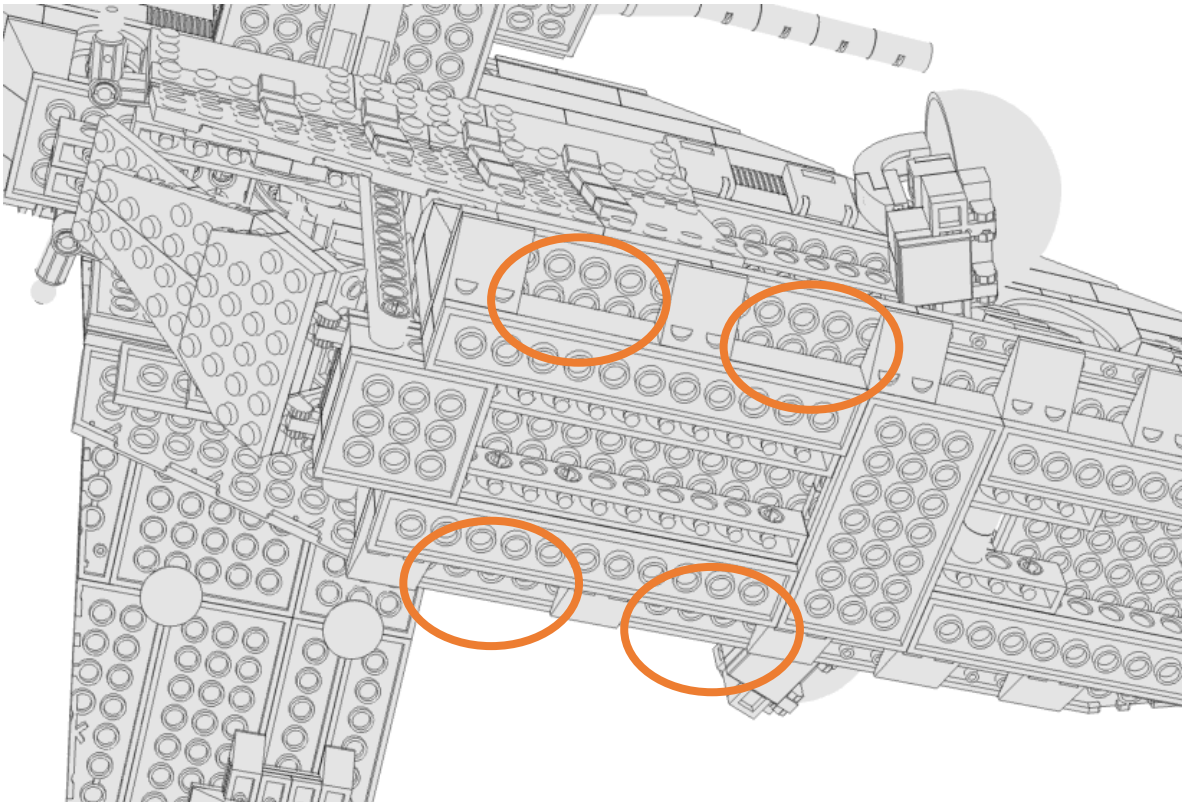
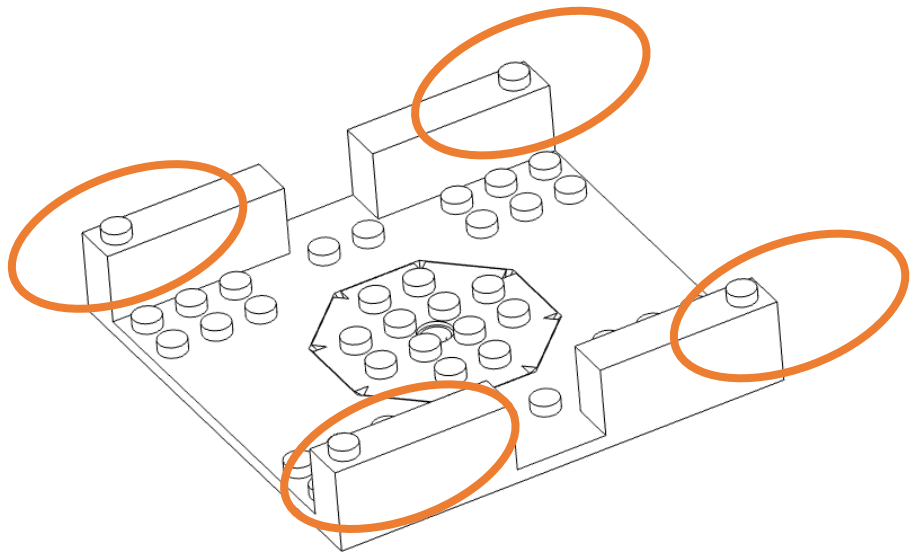
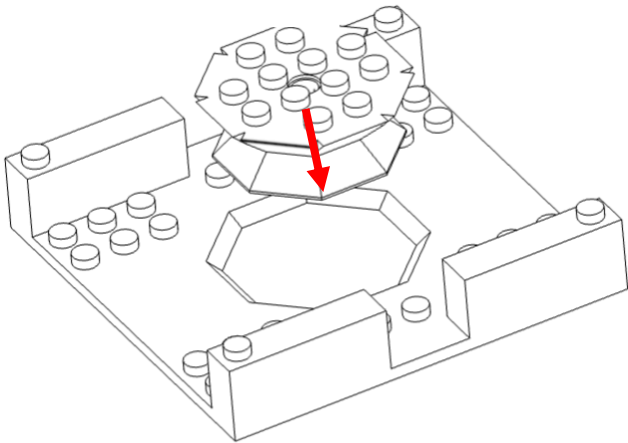
# Wall mount Instructions For Republic gunship – (75021)



# Wall mount Instructions For Republic gunship – (75021)



# Wall mount Instructions For Republic gunship – (75021)



**Wall mount Instructions  
For Republic gunship – (75021)**

